

Strainer 800 lbs (~ PN100) Y-type, screwed ends and drain-plug 1/4" in cover



- Materials:** Body: forged steel A 105N, Screen: stainless steel AISI 316, Gasket: graphit reinforced
- Connection:** screwed ends BSP
- Test pressure:** 205 bar

| DN | L | A | Mesh-width* | Weight (kg) | Article No.** |
|--------|-----|-----|-------------|-------------|---------------|
| 3/8" | 90 | 60 | 0,8 | 1,00 | 0206505303800 |
| 1/2" | 90 | 60 | 0,8 | 1,00 | 0206505301200 |
| 3/4" | 110 | 75 | 0,8 | 1,20 | 0206505303400 |
| 1" | 130 | 85 | 0,8 | 2,00 | 0206505304400 |
| 1 1/4" | 160 | 120 | 0,8 | 6,00 | 0206505305400 |
| 1 1/2" | 160 | 120 | 0,8 | 6,00 | 0206505306400 |
| 2" | 160 | 160 | 0,8 | 7,00 | 0206505308400 |

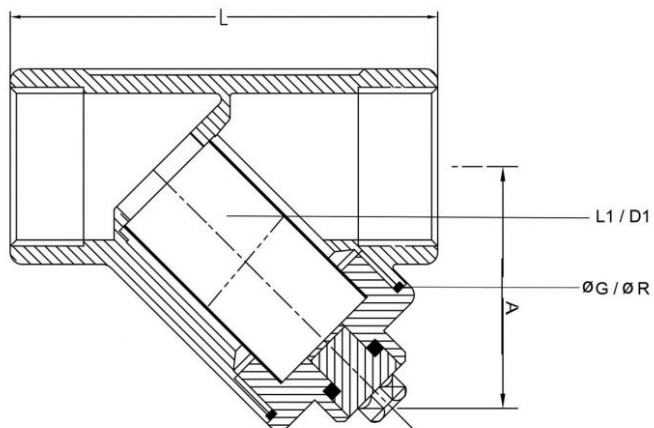
* Fine screens at all nominal diameters mesh width 0,25 mm, free area 37%

** When ordering with fine screen: Article-Nr. + addition "with F-SIEB"

| DN | L1 | D1 | Fo | KVS1 | KVS2 | Zet1 | Zet2 | ø G | ø R | P | D | B |
|--------|-------|------|------|------|------|------|------|-----|------|-----|------|-----|
| 3/8" | 41 | 18 | 38 % | 5,1 | 5,0 | 1,56 | 1,60 | 36 | 28,5 | 3,5 | 1/4" | 85 |
| 1/2" | 41 | 18 | 38 % | 5,1 | 5,0 | 1,56 | 1,60 | 36 | 28,5 | 3,5 | 1/4" | 85 |
| 3/4" | 60 | 22 | 38 % | 9,7 | 9,6 | 2,22 | 2,27 | 41 | 32,5 | 3,5 | 1/4" | 135 |
| 1" | 75 | 28 | 38 % | 14,6 | 13,3 | 3,07 | 3,71 | 50 | 40,5 | 3,5 | 1/4" | 170 |
| 1 1/4" | 100,5 | 41,5 | 38 % | 32,6 | 29,9 | 3,84 | 4,52 | 70 | 57 | 3,5 | 1/4" | 230 |
| 1 1/2" | 100,5 | 41,5 | 38 % | 32,6 | 29,9 | 3,84 | 4,52 | 70 | 57 | 3,5 | 1/4" | 230 |
| 2" | 100,5 | 49,5 | 38 % | 50,3 | 49,8 | 3,84 | 3,92 | 63 | 52,5 | 3,5 | 1/4" | 240 |

The delivery of the strainer is in accordance to PED 2014/68/EU Point 11 and 12 of the preamble and article 1, clause c as well as article 4, clause 3.
The picture shown is only a symbolic photo! Subject to technical changes and errors.

Key for our datasheets



| | |
|------|--|
| DN | Nominal diameter |
| L | Face to face dimension (mm) |
| A | Centre line of pipe to end of cover (mm) |
| L1 | Screen length (mm) |
| D1 | Screen diameter (mm) |
| Fo | Free screen area standard element (mm) |
| KVS1 | KVS-Value standardscreen (m ³ /h) |
| KVS2 | KVS-Value fine screen (m ³ /h) |
| Zet1 | Zeta-Value standardscreen |
| Zet2 | Zeta-Value fine screen |
| ø G | Outer-diameter coverflange gasket (mm) |
| ø R | Inner-diameter coverflange gasket (mm) |
| P | Thickness coverflange gasket (mm) |
| D | Coverflange size |
| B | Distance required to remove screen (mm) |